

Quick Start Guide

Version 1.1
Date 15/12/2023

PIXIE

**PIXIE Contact Sensor
Transceiver**

PC100CS/R/BTAM

1. Foreword

IMPORTANT: IN THE INTEREST OF PRODUCT PERFORMANCE AND SAFETY PLEASE READ THESE GUIDE AND WARRANTY INSTRUCTIONS BEFORE INSTALLING THE PRODUCT.



SAL products are designed in accordance with all mandatory International and Australian Standards, which require installation in accordance with AS/NZS3000 by a qualified installer and regular cleaning and maintenance of the equipment. Products are sold in accordance with the following instructions and SAL standard terms and conditions of sale, available via www.sal.net.au.

Due to continued product and information updates, product data sourced from sal.net.au shall not form part of any contract and or technical performance guarantee unless expressly confirmed in writing by SAL at the time of order. The product wireframe drawings in this document are intended for illustration purposes only and may differ from the final physical product. The installation instruction is subject to change without prior notice.

2. Product Introduction

PIXIE Contact Sensor Transceiver is a smart device that monitors open & closed status of gates/doors/windows, via a set of contact sensors (sold separately). Push notification to users are delivered (PIXIE PLUS App only) when status change occurs. Any status change can be used as a trigger for logic control within the system to deliver more advanced home automation functions, e.g. if the door is open, then turn on a PIXIE smart switch.

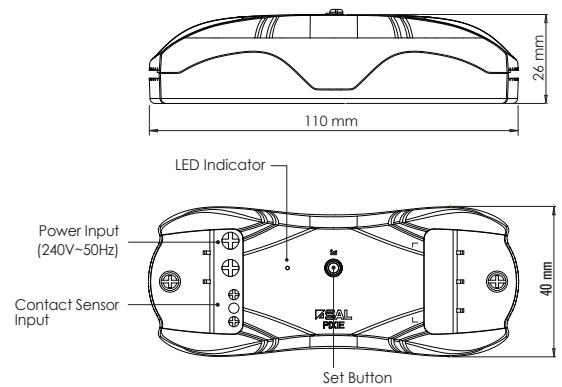
2.1 Product Features

- Works with wired contact sensors (magnetic reed switches) for gates, doors and windows, to monitor open & closed status
- Connect with 1 set of contact sensor equals monitoring of 1 gate or door or window status
- In-built button for easy setup and control
- One RGB LED indicator to reflect different working modes and gate/door/window status

2.2 The package includes

- PIXIE Contact Sensor Transceiver * 1
- Quick Start Guide *1

2.3 Product illustration*



3. Specifications

Model NO.	PC100CS/R/BTAM	Input	240V~ 50Hz
Attachments	Contact sensor (sold separately)	Output	Wireless signal
Operation Ambience Temperature (°C)	0 ~ 40	IP Rating	IP20
Storage Ambience Temperature (°C)	0 ~ 60	Operation Humidity	10% - 85% RH, NC
Storage Humidity	10% - 85% RH, NC	Role in PIXIE System	Master

*All drawings shown are for illustration purpose only, actual product may vary due to product enhancement.

4. Installation and Wiring

4.1 Preparation

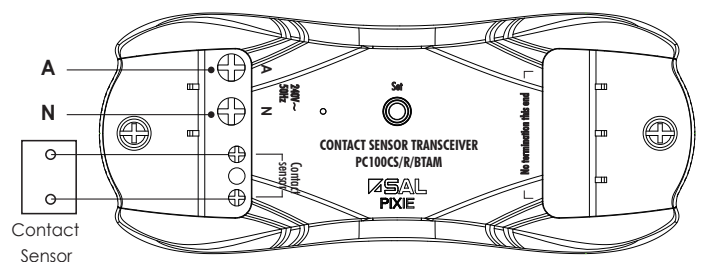
-Select suitable contact sensor (NC type), which comes as a pair, consisting of a reed switch and a magnet. The reed switch contact is closed when the magnet is present, and the contact opens when the magnet moves away.

-The reed switch comes with cable attached and is supposed to be mounted on a fixed surface, e.g. the ground, the wall, or a pole etc. The magnet is supposed to be mounted on a moving part

-Make sure the reed switch contact is closed when the gate/door is closed, and the contact is open when the gate/door is open.

4.2 Installation**

1. Mount the contact sensor onto the desired position
2. Wire the PIXIE Contact Sensor Transceiver as per the wiring diagram on the right
3. Supply power to the PIXIE Contact Sensor Transceiver, make sure the LED indicator is lit and in white colour



Wiring diagram

4. Add this device into the App, follow the step-by-step guide in the App to finalise the configuration

** This product must be installed by a licensed electrician

5. Operation

5.1 Button operation

Single click: Set the device to **Armed** mode, in which the device monitors the contact sensor status, and send out notification to the system if status changes

Double Clicks: Set the device to **Disarmed** mode, in which the device does not monitor the contact sensor status

4 clicks: The device enters pairing mode, the LED indicator quickly flashes in blue and white for 30 seconds. This is for pairing the device to a PIXIE secondary device, so the working mode can be controlled by an extra device, typically a physical button on the wall for convenient control

9 clicks: Reset the device to factory default. The LED indicators flash in blue and white for 3 seconds then stay at white

5.2 The LED indicator

-The LED indicator is solid white colour when the device is new or factory reset

-The LED indicator is solid red colour when it's in **Armed** mode, it's high brightness when the contact sensor is in closed status, and low brightness when the contact sensor is in open status

-The LED indicator is solid green colour when it's in **Disarmed** mode, it's high brightness when the contact sensor is in closed status, and low brightness when the contact sensor is in open status

6. How to download App

Scan QR code or go to App store (IOS) or Google Play (Android) to download the free PIXIE PLUS app to your smart phone.

IOS: Requires IOS 6.0 or later. Compatible with iPhone, iPad and iPod touch.

Android: Requires Android 4.4 or above, devices must support Bluetooth 4.0 or above.

Specifications above are for reference only and may vary without prior notice.



7. Warranty

In accordance with SAL's standard terms and conditions of sale, SAL warrant this product to be free from defects in materials and or workmanship for a period as stated below for goods not subject to incorrect installation, maintenance, operation, mishandling, environmental, unauthorised modifications or electrical operating conditions outside the nominated product specification as detailed in these installation instructions.

The benefits to you given by this warranty are in addition to other rights and remedies you have under law. Our goods come with guarantees that cannot be excluded under the Australian Consumer Law. You are entitled to a replacement or refund for a major failure and compensation for any other reasonably foreseeable loss or damage. You are also entitled to have the goods repaired or replaced if the goods fail to be of acceptable quality and the failure does not amount to a major failure.

Warranty term – Residential usage (12) months, Commercial usage (12) months

7.1 How to make a claim?

Step #1 – Within 30 days of the fault discovery, please contact the original place of the SAL product purchase during standard (local) business hours, with the following information (a) proof of purchase (b) description and quantity of the claimed fault (c) address of installation. (d) operating hours of the product.

Step #2 – It is then the responsibility of the original place of product purchase to report the matter to SAL aftersales;

NSW ACT	SAL National Pty Ltd, 40 Biloela Street Villawood NSW 2163	P # 02 9723 3099
QLD	SAL National Pty Ltd, 36 Whitelaw Place Richlands QLD 4077	P # 07 3879 5999
VICT TAS SA NT	SAL National Pty Ltd, 46-48 Keys Road Moorabbin Victoria 3189	P # 03 9532 3168
WA	SAL National Pty Ltd, 29 Beringarra Av Malaga WA 6090	P # 08 9248 7458

Step #3 - Upon review of your claim and if the product is required to be returned to SAL for technical evaluation, then at the owners expense the product must be returned to SAL as per the above nominated locations.

Step #4 - Pending the evaluation, the claim will be validated resulting in the product being repaired or replaced with the same or best equivalent product at the discretion of SAL, or rejected if the product fault was found to be caused by conditions beyond the responsibility of SAL warranty obligations. Consideration of installation, product removal, return freight and or testing fees are not the responsibility of SAL.

8. Scan QR code to access the full product information

